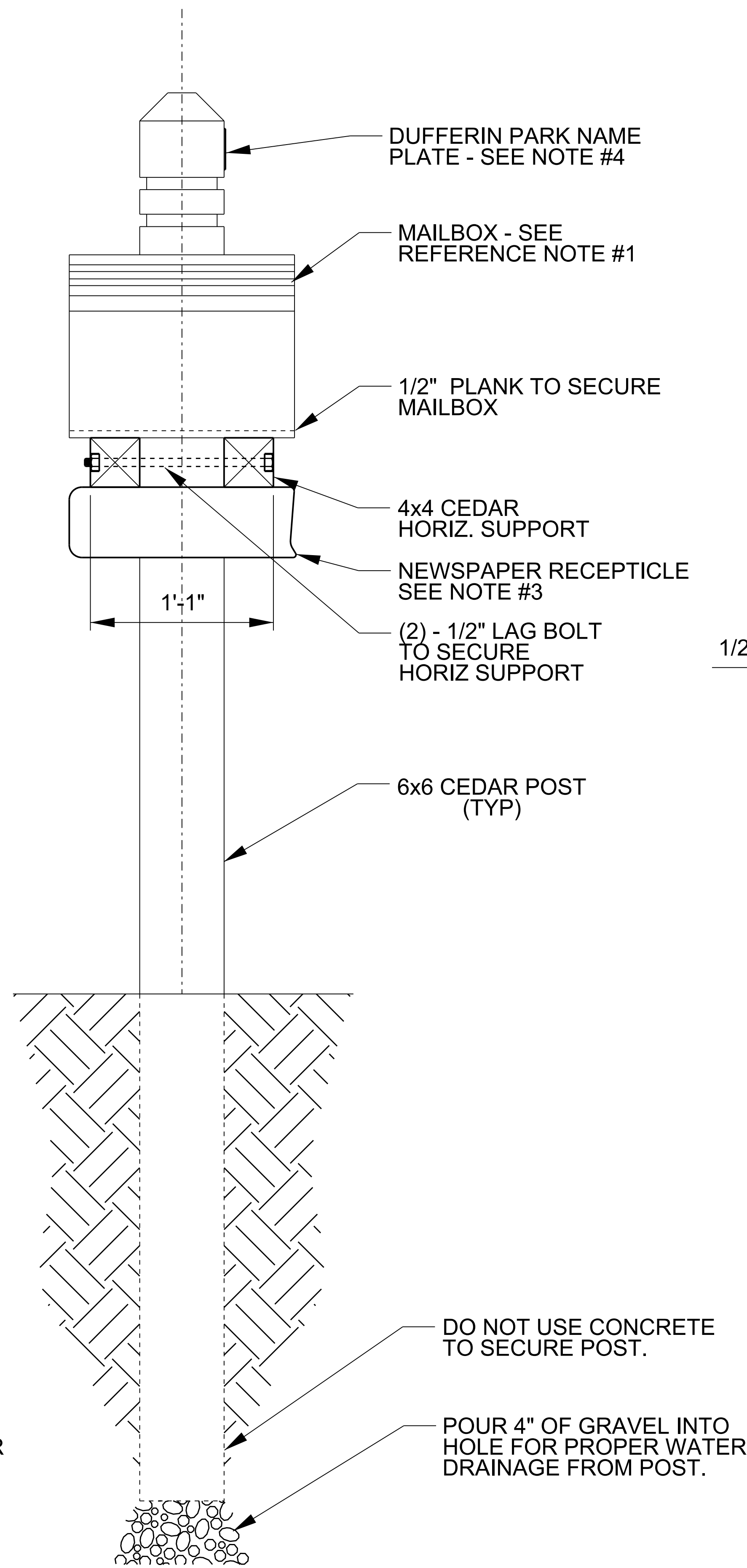
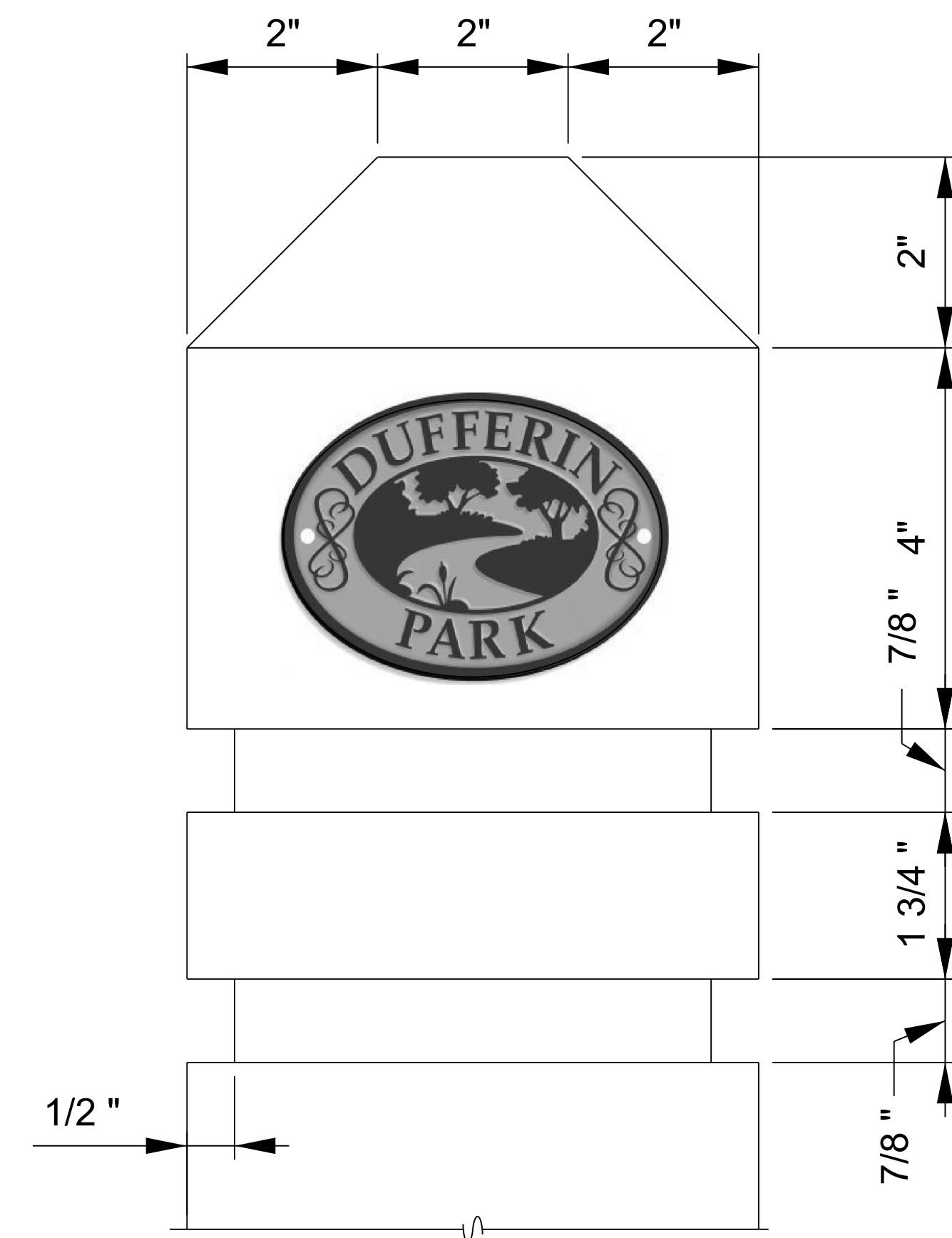


FRONT ELEVATION



SIDE ELEVATION



DETAIL A

GENERAL NOTES

- MAILBOX TO BE POSTMASTER SIZE 1.5 (BLACK) COMMON REPLACEMENT AVAILABLE AT:
 - HOME DEPOT: ITEM SKU # 438673
MANUFACTURED BY GIBALTAR
E1600B00/100211572
www.homedepot.com OR
 - GIBALTAR: LARGE ITEM: E1600B00
www.gibaltarmailboxes.com OR
 - AMAZON: GIBALTAR: LARGE B000CSI69C
www.amazon.com OR
 - OR APPROVED EQUAL.
- ADDRESS TEXT - 1 1/2" TALL x 1" WIDE GOLD REFLECTIVE LETTERING FONT STYLE: NEW TIMES ROMAN REPLACEMENT AVAILABLE AT: FASTSIGNS INC. (BLOOMINGTON LOCATION) OR CONTACT DPHOA BOARD
- NEWSPAPER RECEPTICLE TO BE BLACK IN COLOR.
- REUSE EXISTING DUFFERIN PARK PLAQUE OR CONTACT HOA BOARD FOR REPLACEMENT.
- ALL CEDAR TO BE UNPAINTED.

DUFFERIN PARK
TRIPLE MAILBOX SUPPORT
 www.dufferinpark.com

DRAWN	GPL	DATE	10-24-07
REVISED	GPL	DATE	4-2-16

SHEET #2